



## INSTALLATION GUIDE

The **SR.A<sup>100</sup>** panels manufactured by Styro Rail™ are composed of type 1 white expanded polystyrene [EPS] rigid insulation, smooth or vertically grooved, to ensure drainage of vertical surfaces.

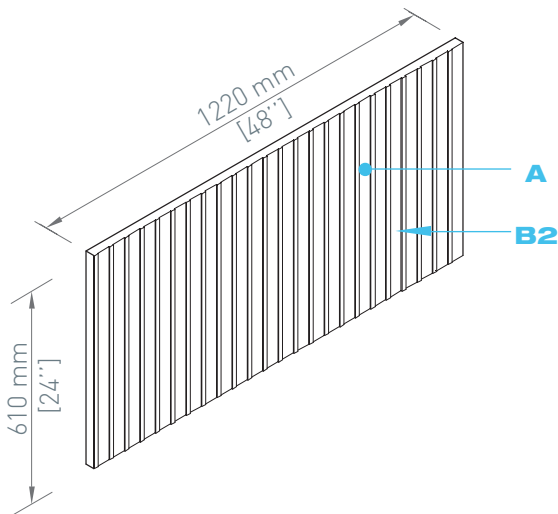
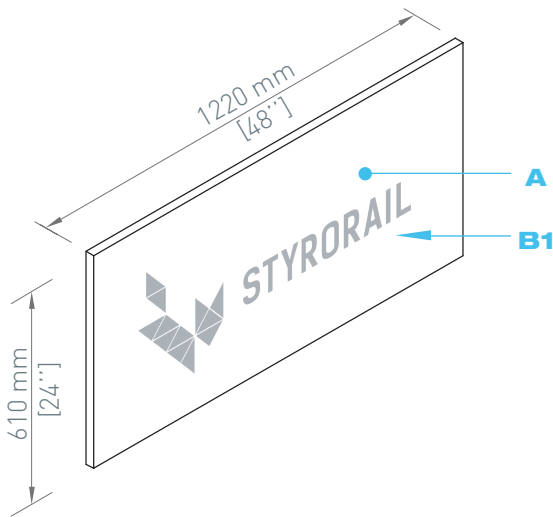
### ➤ RECOMMENDED USE

Install **SR.A<sup>100</sup>** panels on the exterior surface of foundations and framed walls in order to serve as a substrate for the installation of acrylic coating

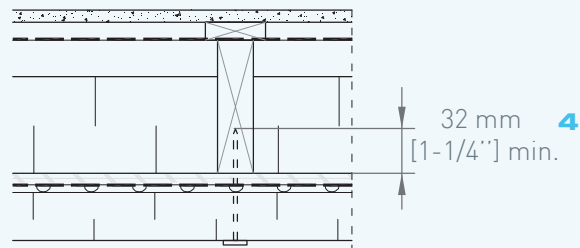
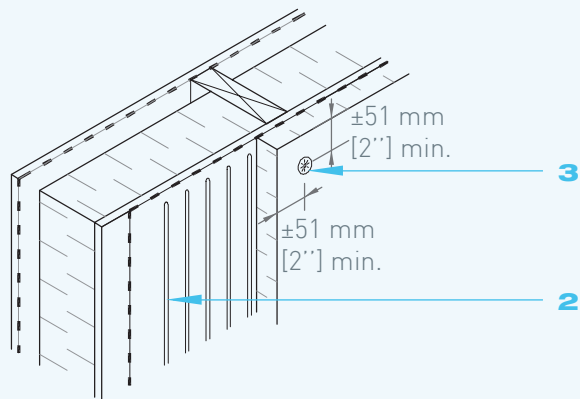
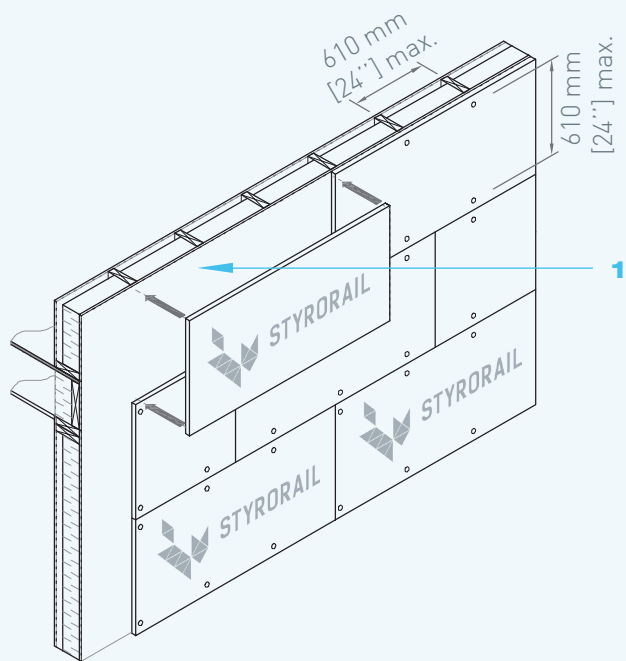
### ➤ PANEL COMPOSITION

**A** Type 1 Expanded Polystyrene Rigid Panel Insulation [EPS] manufactured by Styro Rail™

**B1** Smooth panel or,  
**B2** Drainage channels



## PANEL INSTALLATION

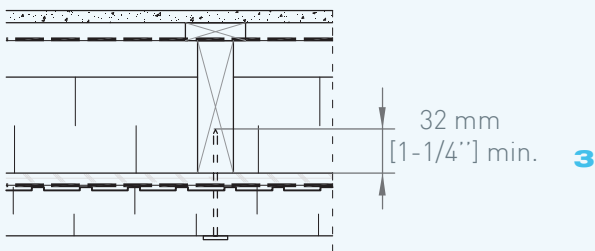
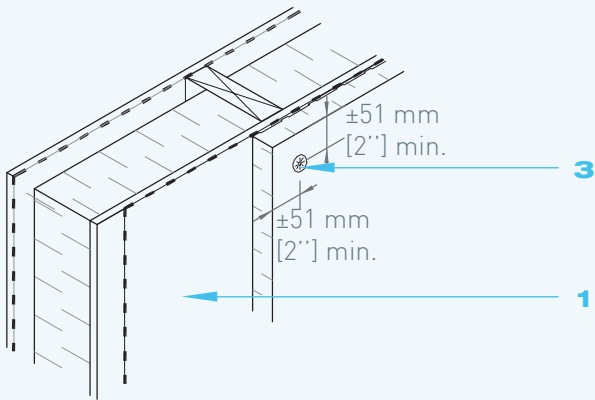
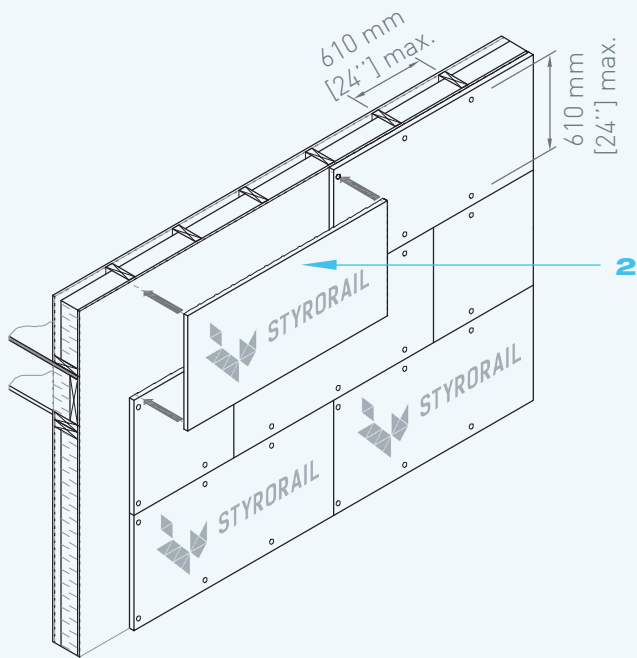


SR.A™ © STYRO RAIL™ | 2017-02

### GENERAL FIXATION [SMOOTH PANEL]

- 1 Install a liquid waterproof membrane on the intermediate sheathing.
- 2 Apply vertical adhesive lines to create drainage cavity behind the panel and to drain unforeseen water infiltrations.
- 3 Fix the insulating panels using screws with plastic washers. Butt ends between panels.
- 4 Use screws ensuring a penetration in the studs with a minimum of 32 mm [1-1/4"]. Allow a spacing of maximum 610 mm [24"]. Fix at approximately 51 mm [2"] from the edges.
- 5 Install the mesh and the acrylic coating as specified by the manufacturer.

## PANEL INSTALLATION



SR.A™ © STYRO RAIL™ | 2017-02

### GENERAL FIXATION [CHANNELED PANEL]

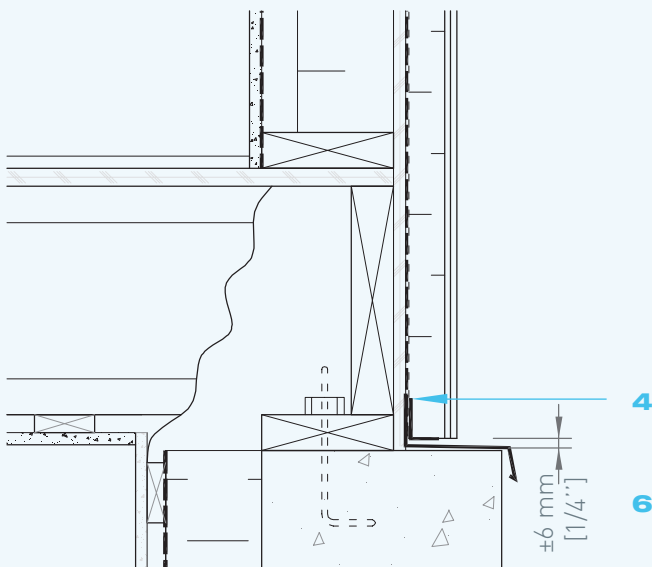
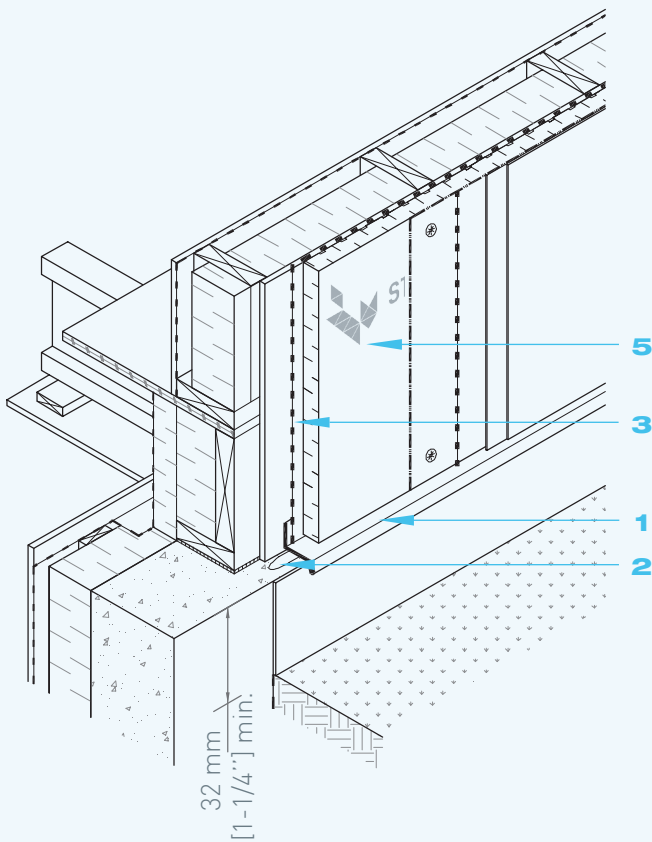
- 1 Install a liquid waterproof membrane or an air/weather membrane on the intermediate sheathing.
- 2 Fix insulating panels, channels toward the wall, the smooth surface toward the exterior. Position the channels vertically.
- 3 Fix the panels using screws with plastic washers. Ensure a penetration in the studs with a minimum of 32 mm [1-1/4"]. Allow a spacing of maximum 610 mm [24"] between the fixations. Fix at approximately 51 mm [2"] from the edges.
- 4 Butt ends between panels.
- 5 Install the mesh and the acrylic coating as specified by the manufacturer.

## JUNCTION DETAILS

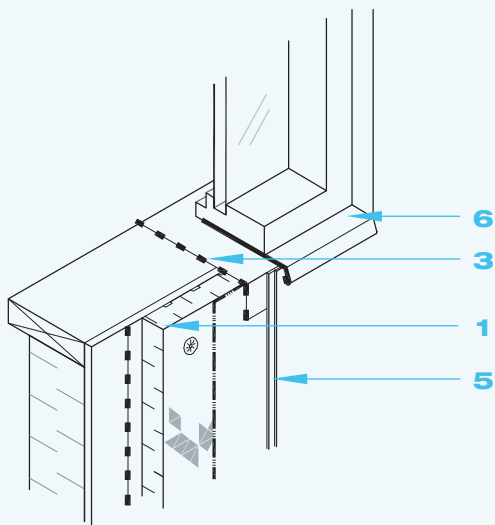
SR.A™  
© STYRO RAIL™ | 2017-02

### ➤ FOUNDATION WALL / FRAMED WALL

- 1 Install a flashing at the bottom of the framed wall.
- 2 Apply an acoustic sealant<sup>††</sup> bead underneath the flashing.
- 3 Install and seal a liquid waterproof membrane or an air/weather membrane on the intermediate sheathing.
- 4 Install a perforated starter strip.
- 5 Install the panels, channels toward the wall, the smooth surface toward the exterior.
- 6 Leave a spacing of approximately 6 mm [1/4"] at the bottom of the panel to allow the drainage of unforeseen water infiltrations.



## JUNCTION DETAILS



SR.A™  
© STYRO RAIL™ | 2017-02

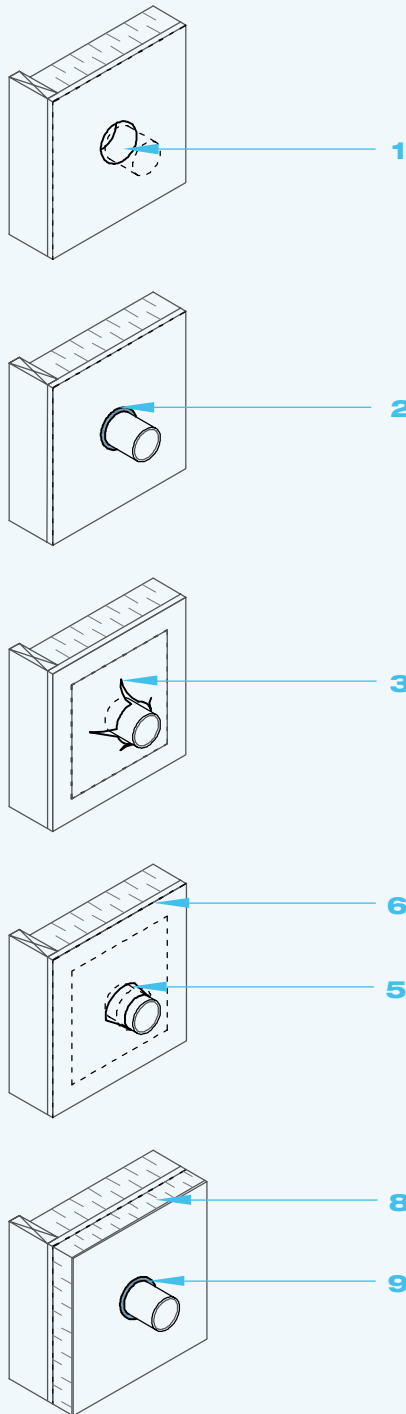
### ➤ OPENING [DOOR AND WINDOW]

- 1** Cut the insulating panels to the gross opening of doors and windows.
- 2** Fix insulating panels as recommended in this guide.
- 3** Install a compatible self-adhesive membrane<sup>++</sup>.
- 4** Install the doors and windows.
- 5** Install the mesh and the acrylic coating as specified by the manufacturer.
- 6** Install a flashing and sealant around the doors and windows according to the manufacturer's instructions.

## JUNCTION DETAILS

SR.A™  
© STYRO RAIL™ | 2017-02

### ➤ PENETRATION [PIPE, DUCT, ETC.]



- 1** Drill holes using a drill with an appropriate size bit.
- 2** If the installed membrane is a liquid waterproof type; install a compatible sealant bead.
- 3** If the installed membrane is in roll; cut a cross shape slot to allow the pipe installation.
- 4** If the opening is uneven and/or if there is a space around the duct: seal around the duct with a compatible sprayed urethane bead†.
- 5** Fold back the corners of the membrane around the pipe. Seal using a compatible air barrier tape†.
- 6** Install and seal the air barrier on the entire wall surface.
- 7** Cut the insulating panels using a drill with an appropriate diameter bit or with a gypsum saw. Adjust the cut to the gross openings of the pipes.
- 8** Install the insulating panels as per the installation method described in this guide.
- 9** As necessary, if the cut made to the insulating panel is not completely tight to the duct, spray an urethane bead around the duct.
- 10** Install the mesh and the acrylic coating as specified by the manufacturer. Seal around the duct using a sealant bead compatible with the surfaces to join.

## GENERAL ADVICES

### ➤ RECOMMENDED PRODUCTS

† The sealing tape must be air and moisture proof, but permeable to water vapor. It must have previously been evaluated by the Canadian Construction Materials Centre [CCMC] in accordance with the MasterFormat® 07 25 20 section and installed according to the related instructions. Validated the sealing tape compatibility with surfaces to be joined.

†† The self-adhesive flexible membrane must be air and moisture proof, but permeable to water vapor. It must be installed according to the manufacturer's instructions. The *Blueskin® SA* or *WP* from *Henry Baker* and *Hi-tac* primer from *Henry Baker* are compatible with expanded polystyrene and air-barrier membrane.

††† Sealants must be compatible with expanded polystyrene. Use *ADFoam* from *ADFast* polyurethane insulating foam or equivalent.

†††† The acoustic sealant must be compatible with expanded polystyrene. Use *Tremco* acoustic sealant or equivalent.

### ➤ STORAGE AND COVERING

Store panels in a dry location, protected from the outside elements, ultraviolet rays, open flames or other sources of ignition. Stack panels on pallets of minimum 100 mm [4"] above the ground. If provided packaging has been damaged during shipping, cover panel with a weather and ultraviolet tarp. Panels must be dry and in good condition before installation.

Cover the panels within 60 days after installation with an exterior cladding protecting from ultraviolet rays.

### ➤ EXEMPTION FROM LIABILITY

The information herein is based on the present state of our best scientific and practical knowledge. They are provided to facilitate Styro Rail™ product's installation and may not apply to all situations. The user is responsible for checking the suitability of products for their intended use. Styro Rail™ installation guides are updated on a regular basis; it is the user's responsibility to obtain and to confirm the most recent version. Information contained in this data sheet may change without notice. The drawings and details herein have not been scaled up.



### Expand your world

Styro Rail Inc. 65 Route 105, La Pêche, Québec J0X 3G0  
T 1 819 643-4456 1 888 332-3456 F 819 459-1621

