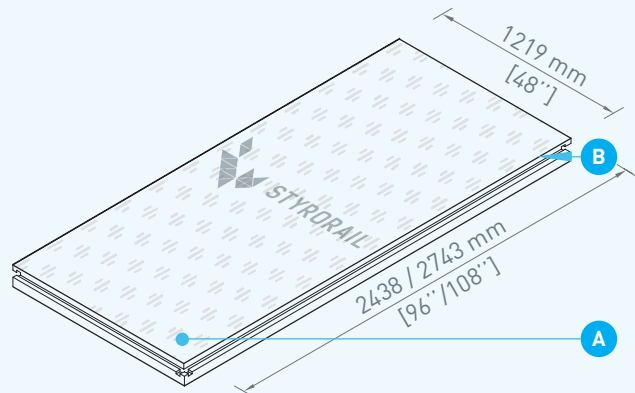


SR.G-FLEX™

FLEXIBLE EXPANDED POLYSTYRENE INSULATION

The flexible SR.G-Flex™ insulating panels manufactured by Styro Rail™ are composed of Type 2 or Type 3 expanded polystyrene laminated on each side by a polypropylene membrane.



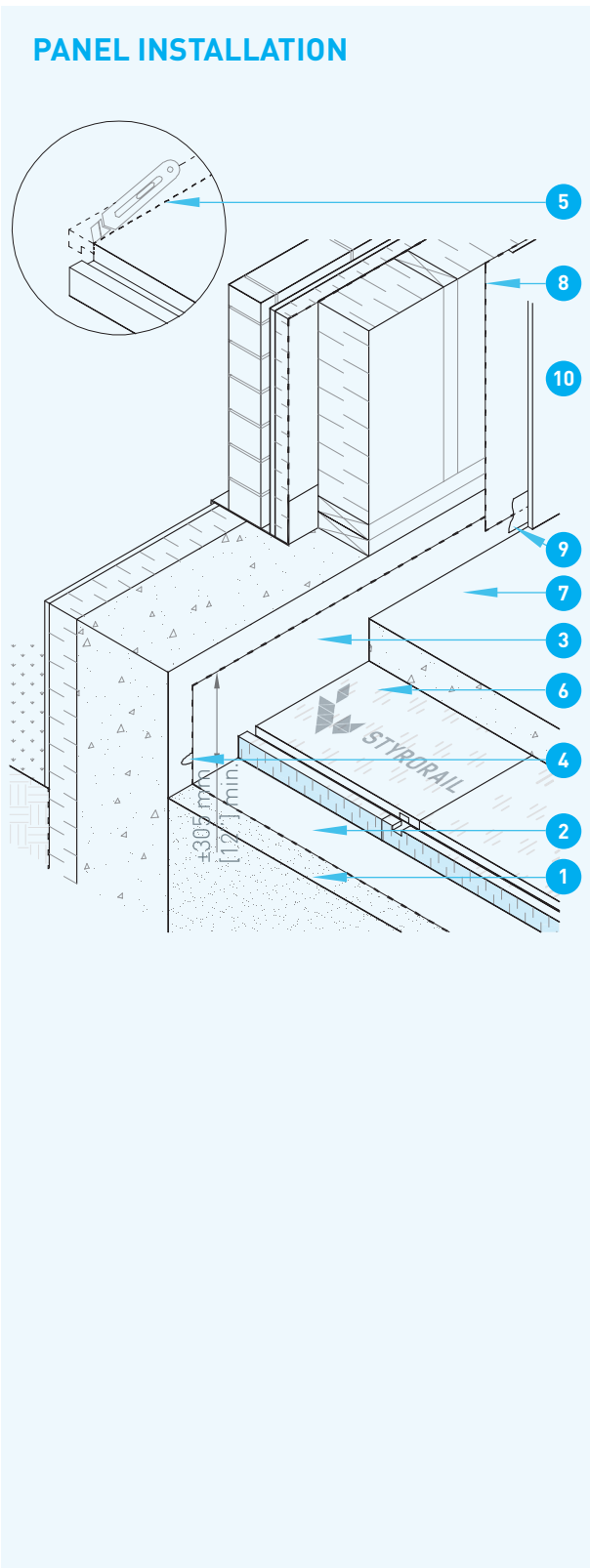
RECOMMENDED USE

Install the SR.G-Flex™ panels underneath the finished basement concrete slab and of residential and commercial garage concrete slab. Ideal when the backfill material is uneven – the panels stay interconnected to one another through the G-Lock™ ship lap system and the flexibility of the panel.

PANEL DESCRIPTION/COMPOSITION

- A** Type 2 or Type 3 Rigid expanded polystyrene insulating panel [EPS] manufactured by Styro Rail™
- B** Polypropylene membrane on each side

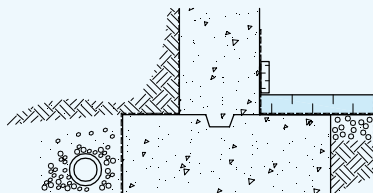
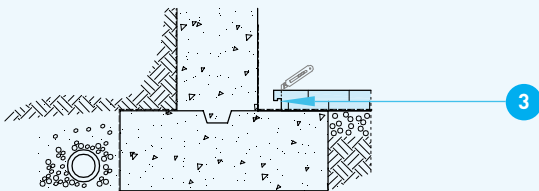
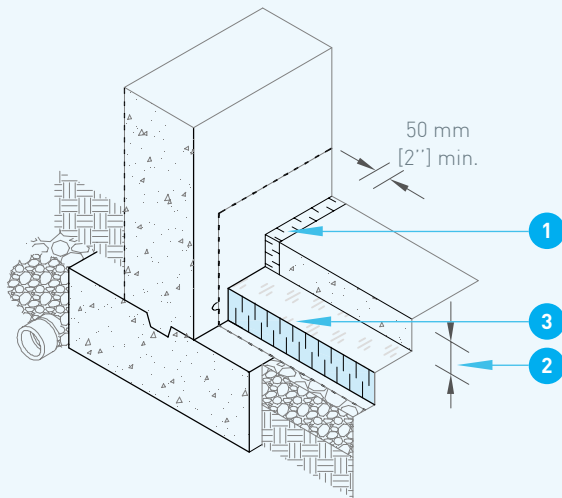
PANEL INSTALLATION



GENERAL INSTALLATION

- 1 Compact the backfill material.
- 2 Install and seal a vapor barrier.
- 3 Leave approximately a 305 mm [12"] strip at the bottom of the wall. Fold back the strip on the wall. Temporarily secure with an adhesive tape.
- 4 Apply an acoustic sealant⁺ bead underneath the wall vapor barrier. Press firmly.
- 5 Begin the installation on an interior corner of the foundation. Using a knife with a retractable blade, cut ship laps towards wall.
- 6 Install the **SR.G-Flex™** insulating panels. Butt ends between panels. Install panels continuously and uniformly.
- 7 Pour the concrete slab.
- 8 During the wall finishing; install and seal a vapor barrier.
- 9 Seal the vapor barrier of the slab with the vapor barrier of the wall.
- 10 Install a protective barrier such as gypsum boards.

PANEL INSTALLATION



FINISHING SLAB [BASEMENT]

- 1 Install a type 2 expanded polystyrene strip of a minimum 50 mm [2'']* in thickness on the vertical section of the vapor barrier.
- 2 Calculate the height of the expanded polystyrene strip with the thickness of the concrete slab.
- 3 Install panels as described in this guide.

* The expanded polystyrene strip can be reduced to 32 mm [1-1/4''] for the basement finishing slabs that does not contain ducts, heating pipe system or buried cables and that are located at least at 610 mm [24''] under the soil level.

GENERAL ADVICES

RECOMMENDED PRODUCTS

† The acoustic sealant must be compatible with expanded polystyrene. Use *Tremco* acoustic sealant or equivalent.

STORAGE AND COVERING

Store panels in a dry and ventilated location, protected from the outside elements, ultraviolet rays, open flames or other sources of ignition. Stack panels on pallets of minimum 100 mm [4"] above the ground. If provided packaging has been damaged during shipping, cover panels with a weather and ultraviolet tarp. Panels must be dry and in good condition before installation.

EXEMPTION FROM LIABILITY

The information herein is based on the present state of our best scientific and practical knowledge. They are provided to facilitate Styro Rail™ product's installation and may not apply to all situations. The user is responsible for checking the suitability of products for their intended use. Styro Rail™ installation guides are updated on a regular basis; it is the user's responsibility to obtain and to confirm the most recent version. Information contained in this data sheet may change without notice. The drawings and details herein have not been scaled up.