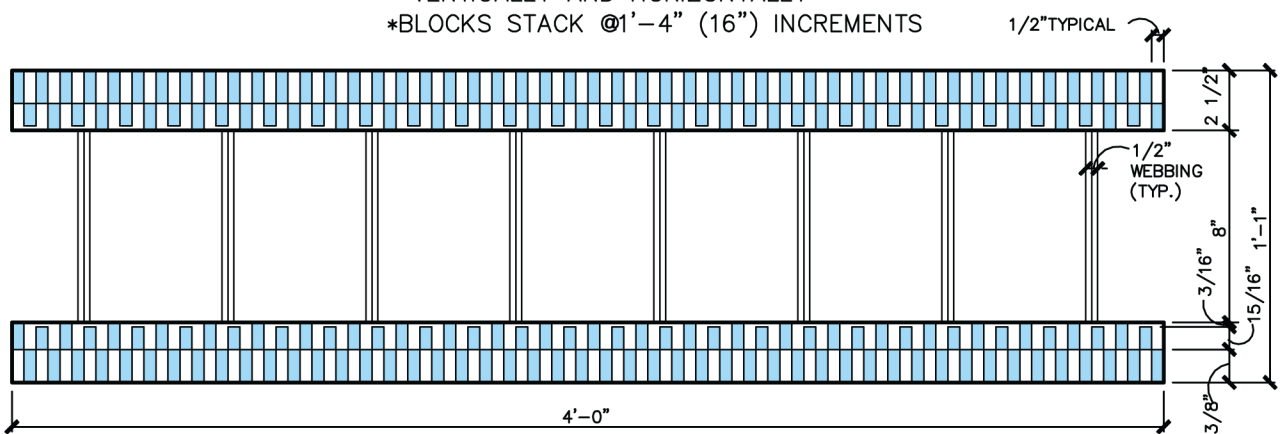


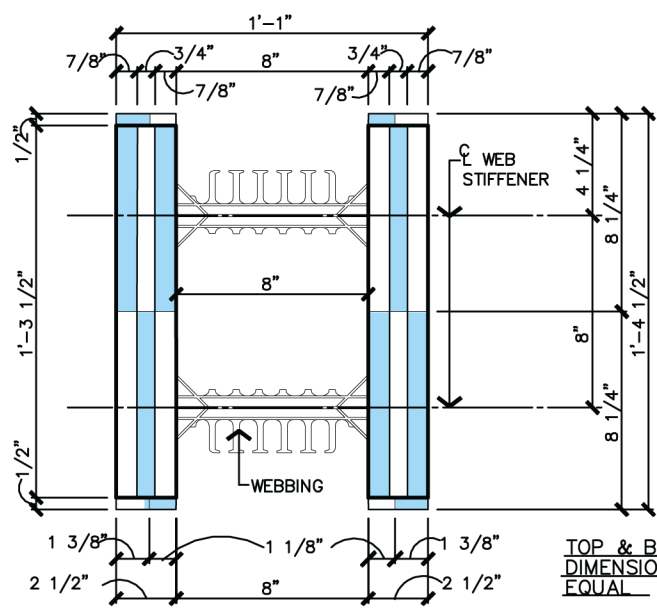
NOTE:

- * FORM IS REVERSIBLE BOTH VERTICALLY AND HORIZONTALLY
- * BLOCKS STACK @ 1'-4" (16") INCREMENTS

3 FRONT VIEW
SCALE: 1 1/2" = 1'-0"



2 TOP / BOTTOM VIEW (REVERSIBLE)
SCALE: 1 1/2" = 1'-0"



1 SIDE VIEW
SCALE: 1 1/2" = 1'-0"

LEGEND

- = POSITIVE PROFILES (TOUNGES)
- = NEGATIVE PROFILES (GROOVES)

NOTE:

DUE TO VARIATIONS IN SELECTED PRINTER SETTINGS, NOTED SCALES MAY NO LONGER BE APPLICABLE

8" STRAIGHT BLOCK

DATE/REV	3-12-07 / 2	SCALE	NTS	DETAIL SHEET
----------	-------------	-------	-----	--------------

NOTES	3
CONSTRUCTION SHALL BE IN ACCORDANCE WITH ALL APPLICABLE LOCAL AND NATIONAL CODES. ALL DRAWINGS ARE SUBJECT TO CHANGE WITHOUT NOTICE.	