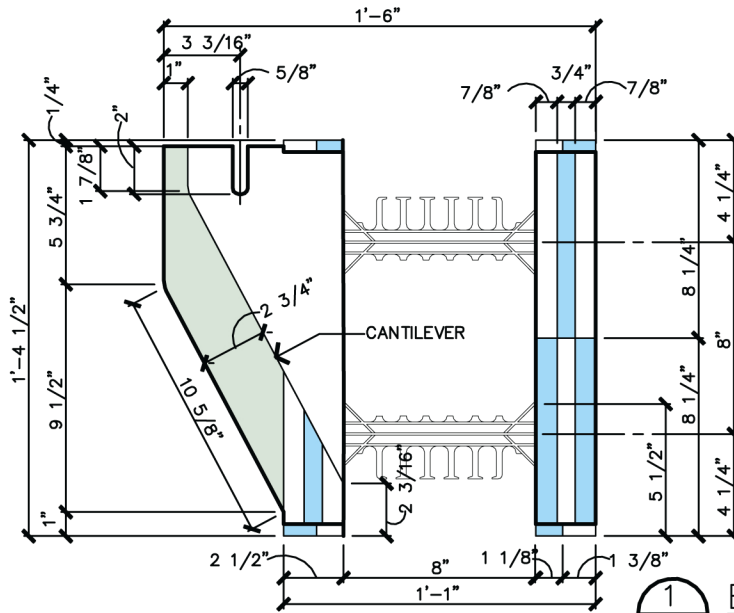


2  
05 TOP VIEW  
SCALE: 1 1/2" = 1'-0"



1  
05 END VIEW  
SCALE: 1 1/2" = 1'-0"

**LEGEND**

- = POSITIVE PROFILES (TOUNGES)
- = NEGATIVE PROFILES (GROOVES)
- = BASELINE

**NOTE:**

DUE TO VARIATIONS IN SELECTED PRINTER SETTINGS, NOTED SCALES MAY NO LONGER BE APPLICABLE

**8" LEDGE BLOCK**

DATE/REV	02-09-06	SCALE	NTS	DETAIL SHEET
----------	----------	-------	-----	--------------

NOTES				
-------	--	--	--	--

CONSTRUCTION SHALL BE IN ACCORDANCE WITH ALL APPLICABLE LOCAL AND NATIONAL CODES. ALL DRAWINGS ARE SUBJECT TO CHANGE WITHOUT NOTICE.

5A