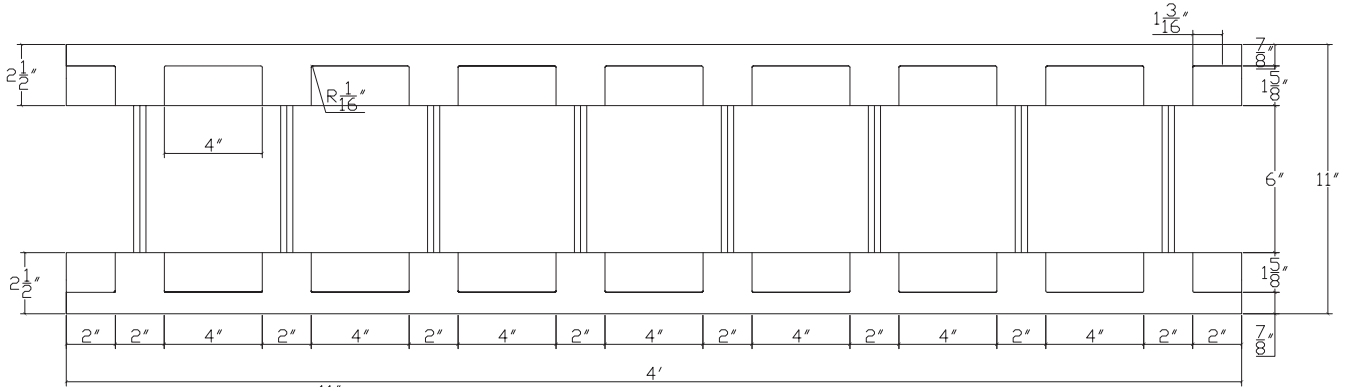
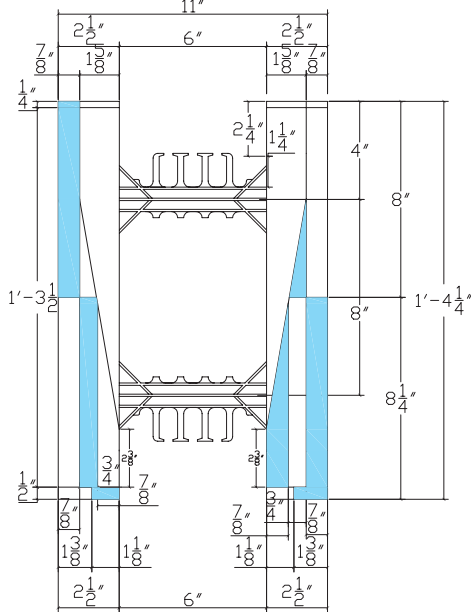


3 FRONT VIEW
01 SCALE: 1 1/2" = 1'-0"

*BLOCKS STACK @1'-4" (16") INCREMENTS



2 TOP / BOTTOM VIEW
01 (REVERSIBLE)
SCALE: 1 1/2" = 1'-0"



1 SIDE VIEW
01 SCALE: 1 1/2" = 1'-0"

LEGEND

- = POSITIVE PROFILES (TONGUES)
- = NEGATIVE PROFILES (GROOVES)

NOTE:
THE BLUE AREA INSIDE THE RED IS SOLID BELOW THE RED

BUILDBLOCK^{MD}

SYSTÈME DE COFFRAGE ISOLANT | PRODUIT PAR STYRORAIL
INSULATING CONCRETE FORMS | MANUFACTURED BY STYRORAIL
65, ROUTE 105, LA PÊCHE, QUEBEC, J0X 3G0
OFFICE: 819-643-4456 | TOLL FREE: 888-332-3456 | STYRORAIL.CA

6" TAPER TOP BLOCK

DATE/REV 11-06-06

SCALE NTS

DETAIL SHEET

NOTES

CONSTRUCTION SHALL BE IN ACCORDANCE WITH ALL APPLICABLE LOCAL AND NATIONAL CODES. ALL DRAWINGS ARE SUBJECT TO CHANGE WITHOUT NOTICE.

5B